



HuiDa RC International Limited

Address: Floor 4, Building A, Classic Science Park, Xin Le industrial zone, Ma'an Town, Huicheng District, Huizhou City, Guangdong Province, China
E-mail: info@chd.hk Tel:+86-752-2118844 Fax:+86-752-2118860 www.CHD.HK

1. 使用環境條件

Apply Environmental Condition :

No.	項目 item	規格 standard
1-1	保存溫度 Storage Temperature Range	-20°C ~ 60°C
1-2	操作溫度 Operating Temperature Range	-10°C ~ 50°C
1-3	操作電壓 Operating Voltage Range	6.0V ~ 7.4V

2. 測試環境

Standard Test Environment :

2-1	測試環境 Standard Test Environment	每一个检查必须是正常的温度和湿度进行测量，温度 $25 \pm 5^{\circ}\text{C}$ ，相对湿度 $65 \pm 10\%$ ，在按照本规范的标准测试条件下判断特征。 Every characteristic of the inspect must be normal temperature and humidity carry out the test , temperature $25 \pm 5^{\circ}\text{C}$ and relative humidity $65 \pm 10\%$ of judgment made in accordance with this specification standard testing conditions.
-----	-----------------------------------	--

3. 外觀檢查

Appearance Inspection :

No.	項目 item	規格 standard
3-1	外觀尺寸 Outline Drawing	尺寸见附件 Dimension see the attachment
3-2	外觀 Appearance	无损坏，不允许影响功能 No damage which affects functions allowed



Product Name
数字伺服器 Digital Servo

Model No.
R6

Version
V1

Page
1/3

4. 電氣特性

Electrical Specification (Function of the Performance) :

No.	項目 item	6.0V	7.4V
4-1	空載轉速 Operating speed (at no load)	0.09 sec/60°	0.08 sec/60°
4-2	空載電流 Running current (at no load)	200 mA	220 mA
4-3	停止扭力 Stall torque (at locked)	6.5 kg/cm	7.5 kg/cm
4-4	停止電流 Stall current (at locked)	1200 mA	1450 mA
4-5	待機電流 Idle current (at stopped)	4 mA	5 mA

注：項目 4-2 定义平均值时，伺服器无负荷运行

Note: Item 4-2 definition is average value when the servo running with no load

5. 機械特性

Mechanical Specification :

No.	項目 item	規格 standard
5-1	外觀尺寸 Overall Dimensions	见附件 Dimension see the attachment
5-2	機構極限角度 Limit angle	180° ± 10°
5-3	重量 Weight	28.5 ± 1 g
5-4	導線規格 Connector wire gauge	# 26 PVC
5-5	導線長度 Connector wire length	150 ± 5 mm
5-6	舵片規格 Horn gear spline	25T/φ 5.77
5-7	舵片種類 Horn type	十字，圓盤，星型，條型 cross horn , round horn , star horn, strip horn
5-8	減速比 Reduction ratio	1/160



Product Name

數字伺服器 Digital Servo

Model No.

R6

Version

V1

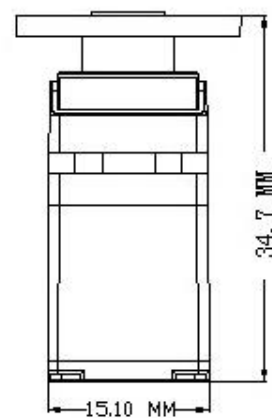
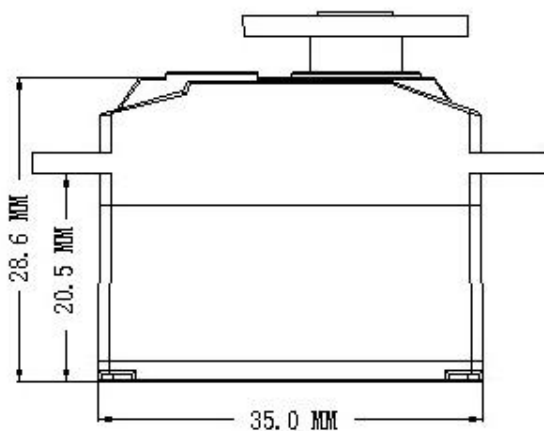
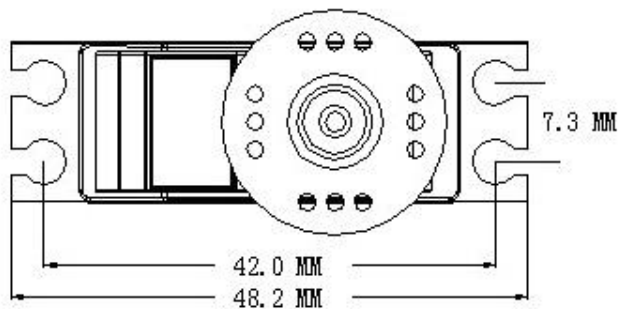
Page

2/3

6. 控制特性

Control Specification :

No.	項目 item	规格 standard
6-1	控制系統 Control system	改变脉冲宽度 Pulse Width Modification
6-2	放大器種類 Amplifier type	数字控制器 Digital Controller
6-3	操作角度 Operating travel	90° (在 1500→2000 μ sec)
6-4	中立位置 Neutral position	1500 μ sec
6-5	脈波訊號虛位 Dead band width	2 μ sec
6-6	旋轉方向 Rotating direction	逆时针 (在 1500→2000 μ sec) Counterclockwise (when 1500→2000 μ sec)
6-7	脈波寬度範圍 Pulse width range	800→2200 μ sec
6-8	可作動角度範圍 Maximum travel	大約 115° (在 800→2200 μ sec) Approx 115° (when 800→2200 μ sec)



Product Name
数字伺服器 Digital Servo

Model No.
R6

Version
V1

Page
3/3